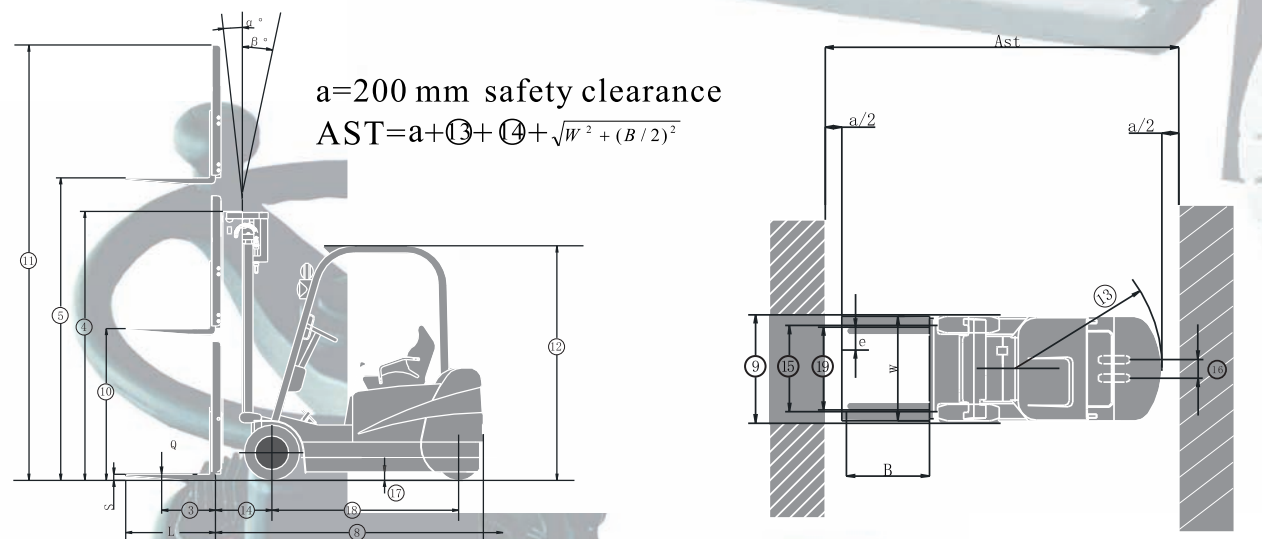


MAXIMAL FORKLIFT SPECIFICATION

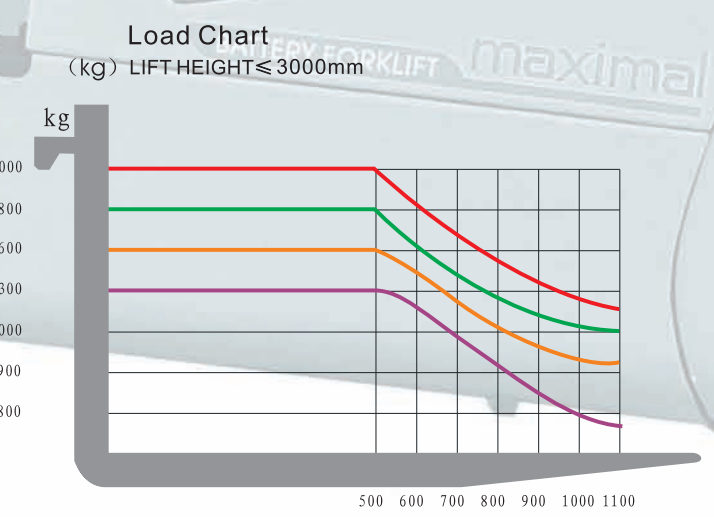
M Series 1.3-2.0T Electric Three-wheel Forklift Specification												
1	Model		FB13S-MQJ2		FB13S-MQJ2		FB16S-MQJ2		FB18S-MQJ2		FB20S-MQJ2	
2	Rated Capacity	kg	1300		1600		1800		1800		2000	
3	Load Centre	mm	500		500		500		500		500	
4	Lifting Height	mm	3000		3000		3000		3000		3000	
5	Free Lifting Height	mm	150		150		150		150		150	
6	Fork Size	L×W×T	900×100×40		900×100×40		900×100×40		900×100×40		900×100×40	
7	Tilting Angle	F/B (α°/β°)	6.5/6.5		6.5/6.5		6.5/6.5		6.5/6.5		6.5/6.5	
8	Overall Dimension	Length (to fork face)	1790		1898		1898		2010		2010	
9		Overall Width	1060		1060		1060		1060		1060	
10		Mast Lowered Height	1995		1995		1995		2055		2055	
11		Mast Extended Height	3940		3940		3940		3940		4000	
12		Overhead Safeguard Height	1960		1960		1960		1960		1960	
13	Turning Radius (Min)	mm	1435		1545		1545		1655		1655	
14	Overhang	mm	355		355		355		355		355	
15/16	Tread (Front/Rear)	mm	902/175		902/175		902/175		915/175		915/175	
17	Ground Clearance (Min)	mm	90		90		90		90		90	
18	Wheelbase	mm	1250		1358		1358		1465		1465	
19	Fork Spread	Min./Max.	200/1000		200/1000		200/1000		200/1000		200/1000	
20	Working Aisle Width with Pallet (Ast)*	1000×1200 crossways	3160		3270		3270		3380		3380	
21		800×1200 lengthways	3260		3370		3370		3480		3480	
22	Speed	Travel (Laden)	13.5		13.5		13.5		13		13	
23		Travel (Unladen)	13.5		13.5		13.5		13		13	
24		Lifting (Laden)	300		290		280		255		255	
25		Lifting (Unladen)	460		445		435		405		405	
26	Gradeability	Laden	20		20		20		15		15	
27		Unladen	20		20		20		15		15	
28	Service Weight	Include battery box	2780		3040		3100		3390		3390	
29	Tyre	Front x 2	18×7-8		18×7-8		18×7-8		200/50		200/50	
30		Rear x 2	15×4.5-8		15×4.5-8		15×4.5-8		15×4.5-8		15×4.5-8	
31	Motor	Driven motor x 2	5.0x2		4.6x2		5.0x2		4.6x2		5.0x2	
32		Pump motor	8.6		10		8.6		10		8.6	
33	Battery	Standard	48/400		48/500		48/500		48/600		48/600	
34		Optional	48/480		48/600		48/600		48/700		48/700	
35	Controller	Type	MOSFET		MOSFET		MOSFET		MOSFET		MOSFET	
36		Manufacturer	ZAPI	Danaher Motion	ZAPI	Danaher Motion	ZAPI	Danaher Motion	ZAPI	Danaher Motion	ZAPI	Danaher Motion
37	Operating pressure for attachment	Mpa	14.5		14.5		14.5		14.5		14.5	

Type	Model	Mast fork height	1.3/1.6/1.8/2.0T M Series mast										
			Overall Height			Free Lift		Tilt Angle		Capacity			
			Lowered	With Backrest	Without Backrest	With backrest	Without backrest	Forward	Backward	Load capacity at 500 mm			
Wide view 2-stage mast	SM	mm	mm	mm	mm	mm	mm	Deg	Deg	kg	kg	kg	kg
		2500	1745	3445	3065	145	145	6.5	6.5	1300	1600	1800	2000
		2700	1845	3645	3265	145	145	6.5	6.5	1300	1600	1800	2000
		3000	1995	3945	3565	145	145	6.5	6.5	1300	1600	1800	2000
		3300	2145	4245	3865	145	145	6.5	6.5	1300	1600	1800	2000
		3500	2245	4445	4065	145	145	6.5	6.5	1300	1600	1800	2000
		3700	2345	4645	4265	145	145	6.5	6.5	1300	1600	1800	2000
		4000	2545	4945	4565	145	145	3.5	5	1300	1600	1800	2000
		4300	2695	5245	4865	145	145	3.5	5	1200	1500	1700	1900
		4500	2795	5445	5065	145	145	3.5	5	1100	1400	1600	1800
Wide view full free 2-stage mast	SFM	mm	mm	mm	mm	mm	mm	Deg	Deg	kg	kg	kg	kg
		2500	1755	3465	2983	490	912	6.5	6.5	1300	1600	1800	2000
		2700	1855	3665	3183	740	1162	6.5	6.5	1300	1600	1800	2000
		3000	2005	3965	3483	990	1472	6.5	6.5	1300	1600	1800	2000
		3300	2155	4265	3783	1140	1622	6.5	6.5	1300	1600	1800	2000
		3500	2255	4465	3983	1240	1722	6.5	6.5	1300	1600	1800	2000
		3700	2355	4665	4183	1365	1787	6.5	6.5	1300	1600	1800	2000
		4000	2555	4965	4483	1540	1962	3.5	5	1300	1600	1800	2000
		4300	2700	5265	4783	1665	2087	3.5	5	1200	1400	1700	1850
		4500	2780	5465	4983	1790	2212	3.5	5	1100	1300	1600	1800
Wide view full free 3-stage mast	STFM	mm	mm	mm	mm	mm	mm	Deg	Deg	kg	kg	kg	kg
		4300	2010	4245	4905	1100	1415	3.5	5	1200	1500	1700	1900
		4500	2075	4445	5105	1170	1480	3.5	5	1100	1400	1600	1800
		4800	2175	5745	5405	1270	1580	3.5	5	1000	1300	1500	1550
		5000	2240	5945	5605	1340	1645	3.5	5	950	1250	1450	1500
		5500	2410	6445	6105	1500	1815	3.5	5	850	1150	1200	1300
6000	2625	6945	6625	1670	2010	3.5	5	750	1050	1100	1200		

Note: With side-shift, load capacity subtract 200KG.



We work for maximal



MAXIMAL FORKLIFT

M SERIES

1.3/1.6/1.8/2.0t
 Electric three-wheel forklift
 Sino-American Zhejiang Maximal Forklift Co.,Ltd.

